



CorePro LEDbulbs

CorePro LEDbulb ND 5-40W A60 E27 865

CorePro LEDbulbs are compatible with existing fixtures with an E27 or B22 holder and are designed for retrofit replacement of incandescent bulbs. They deliver huge energy savings and minimize maintenance cost. The CorePro LED bulb is the perfect bulb for your basic lighting needs. It provides the beautiful light and dependable performance you expect from LED at an affordable price.

Product data

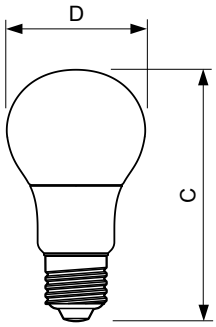
General Information		Lamp Current (Nom)	
Cap-Base	E27 [E27]	Wattage Equivalent	40 W
Nominal Lifetime (Nom)	15000 h	Starting Time (Nom)	0.5 s
Switching Cycle	50000X	Warm Up Time To 60% Light (Nom)	0.5 s
Technical Type	5-40W	Power Factor (Nom)	0.5
		Voltage (Nom)	220-240 V
Light Technical		Temperature	
Color Code	865 [CCT of 6500K]	T-Case Maximum (Nom)	84 °C
Beam Angle (Nom)	200 °		
Luminous Flux (Nom)	470 lm	Controls and Dimming	
Luminous Flux (Rated) (Nom)	470 lm	Dimmable	No
Color Designation	Cool Daylight	Mechanical and Housing	
Correlated Color Temperature (Nom)	6500 K	Bulb Finish	Frosted
Luminous Efficacy (rated) (Nom)	94.00 lm/W	Approval and Application	
Color Consistency	<6	Energy Saving Product	Yes
Color Rendering Index (Nom)	80	Suitable For Accent Lighting	No
LLMF At End Of Nominal Lifetime (Nom)	70 %	Energy Efficiency Label (EEL)	A+
Operating and Electrical			
Input Frequency	50 to 60 Hz		
Power (Rated) (Nom)	5 W		

CorePro LEDbulbs

Energy Consumption kWh/1000 h	5 kWh
Product Data	
Full product code	871869657787500
Order product name	CorePro LEDbulb ND 5-40W A60 E27 865
EAN/UPC - Product	8718696577875
Order code	929001163532

Numerator - Quantity Per Pack	1
Numerator - Packs per outer box	10
Material Nr. (12NC)	929001163532
Net Weight (Piece)	0.076 kg

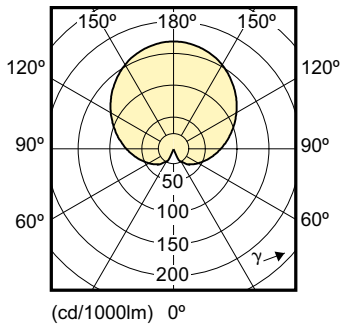
Dimensional drawing



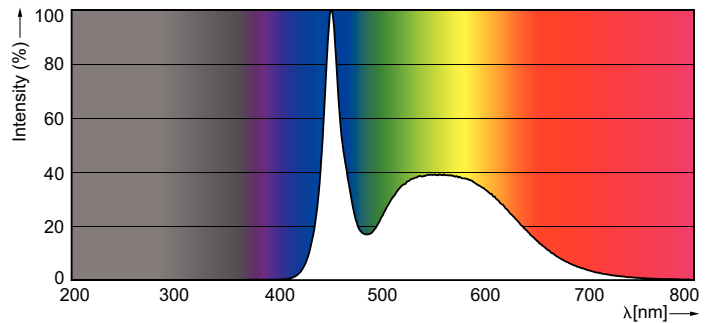
LED 5.5-40W E27 865

Product	D	C
CorePro LEDbulb ND 5-40W A60 E27 865	60 mm	110 mm

Photometric data



5.5-40W A60 E27 /865



A60 /865 FR

